

**Series 2, Wall-mounted cooker hood,
90 cm, Black
DWB96BC60B**



Wall mounted chimney hoods add style and sophistication to the kitchen and give you complete freedom in your kitchen planning.

- **LED Illumination:** The energy-saving lighting provides bright and clear lighting for the hob area.

- DWZ0DX0A0 Standard odor filter (replacement)
- DWZ0DX0U0 Standard recirculation kit
- DWZ0XX0J0 Long Life recirculation kit
- DWZ1DX1B4 Clean Air Standard odor filter (repl.)
- DWZ1DX114 Clean Air Standard recirculation kit
- DWZ1DX116 Clean Air Plus recirculation kit
- DZZ0XX0P0 Long Life odor filter (replacement)
- DZZ1XX1B6 Clean Air Plus odor filter (replacement)

Typology:Wall-mounted
Length electrical supply cord: 130.0 cm
Height of the chimney: 583-912/583-1022 mm
Height of the appliance: 53 mm
Minimum distance above an electric hob: 550 mm
Minimum distance above a gas hob:650 mm
Net weight: 13.3 kg
Type of control: mechanical
Number of speed settings: 3
Max. air extraction: 619 m ³ /h
Max. air recirculation: 422 m ³ /h
Maximum Air flow: 619 m ³ /h
Number of lights: 2
Noise level: 70 dB(A) re 1pW
Diameter of air outlet: 120 / 150 mm
Grease filter material:Washable aluminium
EAN code: 4242005453047
Connection rating: 220 W
Fuse protection:10 A
Voltage: 220-240 V
Frequency: 60; 50 Hz
Plug type: GB plug
Installation typology:Wall-mounted



Series 2, Wall-mounted cooker hood, 90 cm, Black DWB96BC60B

Wall mounted chimney hoods add style and sophistication to the kitchen and give you complete freedom in your kitchen planning.

- DWB96BC60B

Design

- Chimney extractor hood
- Box design
- 90 cm wide
- Installation: wall
- Black
- Suitable for ducted or recirculating operation
- For recirculated extraction recirculating kit or CleanAir recirculating kit (accessory) needed
- Dimensions exhaust air (HxWxD): 635-965 x 900 x 500 mm
- Dimensions recirculating (HxWxD): 635-1075 x 900 x 500 mm

Performance/technical information

- 3 power levels via Push button control
- Maximum extraction rate exhaust air 619 m³/h according to EN 61591
- Noise level according to EN 60704-3 and EN 60704-2-13 at max. normal use exhaust air: 70 dB(A) re 1 pW
- With the Clean Air Plus recirculation kit (available as optional accessory) your appliances reaches:
- Extraction rate in recirculation mode: Max. normal use:422m³/h
- Noise level in recirculation mode: Max. normal use:74 dB(A) re 1 pW
- Blower Efficiency Class: A*
- Lighting Efficiency Class: A*
- Grease Filtering Efficiency Class: B*

Energy efficiency class

- Energy Efficiency Class: B (at a range of energy efficiency classes from A+++ to D)
- Average Energy Consumption: 47.4 kWh/year*

Technical Information

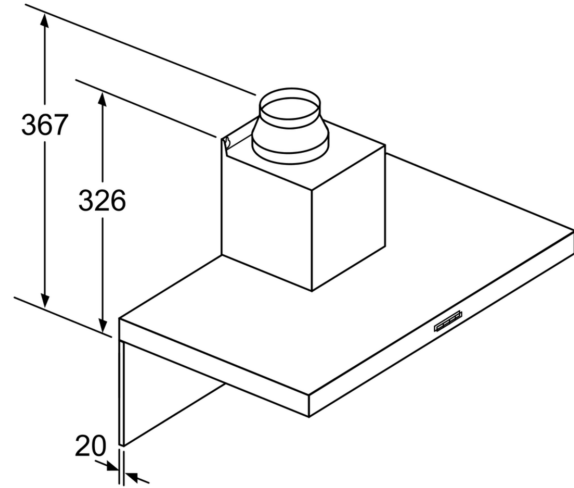
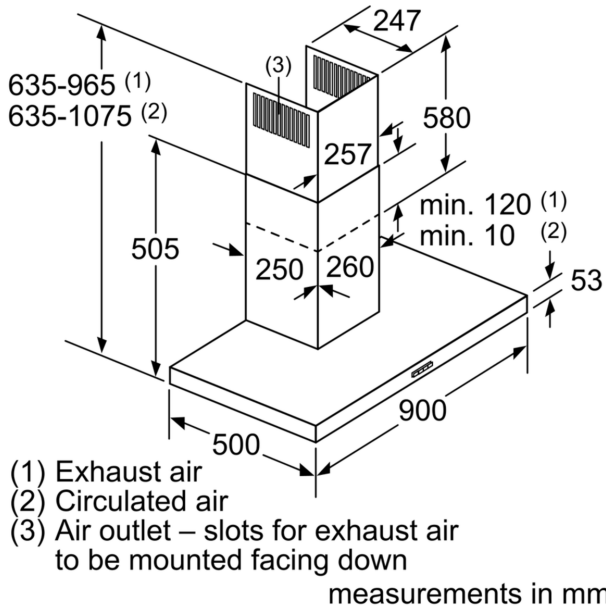
- Electrical cable length 1.3 m
- 2 x 1.5W LED light
- Colour Temperature: 3500 K
- Power rating: 220 W
- Diameter pipe Ø 150 mm (Ø 120 mm enclosed)

Special features

- Twin channel high performance fan motor
- 3 removable metal grease filter cassettes

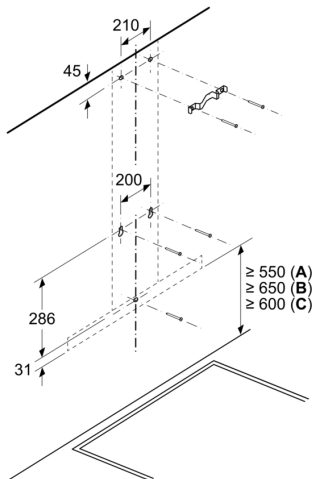
Programmes/functions

**Series 2, Wall-mounted cooker hood,
90 cm, Black
DWB96BC60B**



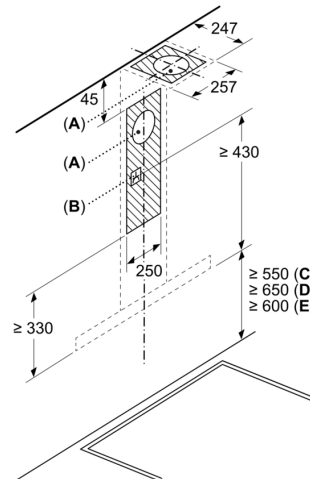
If a back panel is used, the design of the appliance must be considered.

Measurements in mm



- A: Electric
- B: Gas - from upper edge of pan support
- C: Electric - for Australia and New Zealand

Measurements in mm



- A: Exhaust air outlet
- B: Socket
- C: Electric
- D: Gas - from upper edge of pan support
- E: Electric - for Australia and New Zealand