

**Series 4, Wall-mounted cooker hood,
60 cm, Stainless steel
DWB66DM50B**



DWZ0DX0A0 Standard odor filter (replacement), DWZ0DX0U0 Standard recirculation kit, DWZ0XX0J0 Long Life recirculation kit, DWZ1DX1B4 Clean Air Standard odor filter (repl.), DHZ1225 Chimney extension 1000 mm, DHZ1235 Chimney extension 1500 mm, DHZ6550 Brushed steel back panel, DHZ6551 Brushed steel back panel, DWZ1DX114 Clean Air Standard recirculation kit, DWZ1DX116 Clean Air Plus recirculation kit, DWZ1FX5C6 Clean Air Plus recirc. kit external, DWZ1FX5D1 Long Life recirculation kit external, DZZ0XX0P0 Long Life odor filter (replacement), DZZ1XX1B6 Clean Air Plus odor filter (replacement)

Box design hood: performance and matching kitchen design complete in one hood.

- **Especially silent:** maximum hood performance, minimum noise.
- **TouchSelect control:** Quickly select hood settings via touch.
- **LED Illumination:** The energy-saving lighting provides bright and clear lighting for the hob area.
- **Intensive speed setting:** removes strong kitchen odours quickly and effectively.

Typology:Wall-mounted
 Length electrical supply cord: 130.0 cm
 Height of the chimney: 583-912/583-1022 mm
 Height of the appliance: 53 mm
 Minimum distance above an electric hob: 550 mm
 Minimum distance above a gas hob:650 mm
 Net weight: 11.8 kg
 Type of control:Electronic
 Number of speed settings: 3-stages + intensive setting
 Max. air extraction: 368 m³/h
 Boost position output recirculating:441 m³/h
 Max. air recirculation: 337 m³/h
 Boost position air extraction: 605 m³/h
 Maximum Air flow:368 m³/h
 Number of lights: 2
 Noise level:60 dB(A) re 1pW
 Diameter of air outlet: 120 / 150 mm
 Grease filter material:Washable aluminium
 EAN code:4242005051045
 Connection rating: 220 W
 Fuse protection:10 A
 Voltage: 220-240 V
 Frequency: 50; 60 Hz
 Plug type: GB plug
 Installation typology:Wall-mounted



Series 4, Wall-mounted cooker hood, 60 cm, Stainless steel DWB66DM50B

Box design hood: performance and matching kitchen design complete in one hood.

Key performance features:

- Energy Efficiency Class: B (at a range of energy efficiency classes from A+++ to D)
- Extraction rate according to EN 61591 ø 15 cm:
 - max. Normal use 368m³/h
 - Intensive 605 m³/h
- Noise max. Normal Level: Noise, max. speed in normal use: 60 dB dB*

Features

- TouchControl with Electronic display
- Electronic display
- 3 power levels & intensive setting
- 2 x 1.5W LED light
- Colour Temperature: 3500 K
- Automatic intensive revert (6mins)
- 2 removable metal grease filter cassettes
- Installation: wall

Design

- Chimney extractor hood
- TouchControl
- Electronic control

Performance/technical information

- Suitable for ducted or recirculating operation
- For recirculated extraction recirculating kit or CleanAir recirculating kit (accessory) needed
- Max. extraction rate: 605 m³/h
- Noise level according to EN 60704-3 and EN 60704-2-13 exhaust air:
 - Max. normal use: 60dB(A) re 1 pW
 - Intensive: 69 dB(A) re 1 pW
- With the Clean Air Plus recirculation kit (available as optional accessory) your appliances reaches:
 - Extraction rate in recirculation mode: Max. normal use: 337m³/h
 - Intensive: 441m³/h
- Noise level in recirculation mode: Max. normal use: 70dB(A) re 1 pW
 - Intensive: 74 dB(A) re 1 pW
- Power rating: 220 W
- Light Intensity: 242 lux
- Electrical cable length 1.3 m
- Diameter pipe ø 150 mm (ø 120 mm enclosed)
- Dimensions exhaust air (HxWxD): 635-965 x 600 x 500 mm
- Dimensions recirculating (HxWxD): 635-1075 x 600 x 500 mm
- Dimensions recirculating with CleanAir module (HxWxD):
 - 703 x 600 x 500mm - mounting with outer chimney
 - 833-1163 x 600 x 500 mm - mounting with telescopic chimney
- Blower Efficiency Class: A*

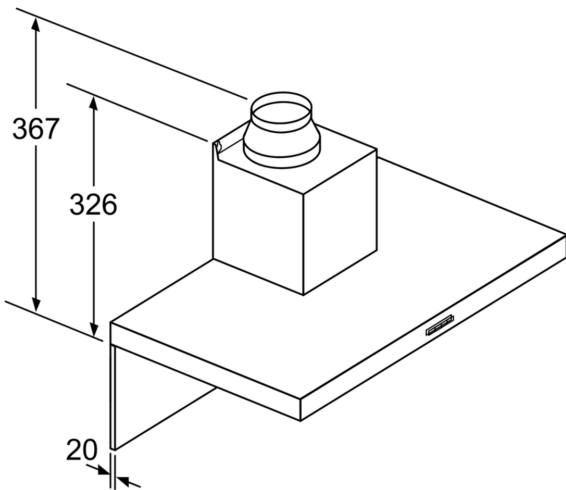
- Lighting Efficiency Class: A*
- Grease Filtering Efficiency Class: B*
- Average Energy Consumption: 48.1 kWh/year*

Optional accessories

- Recirculating kit DWZODX0A0

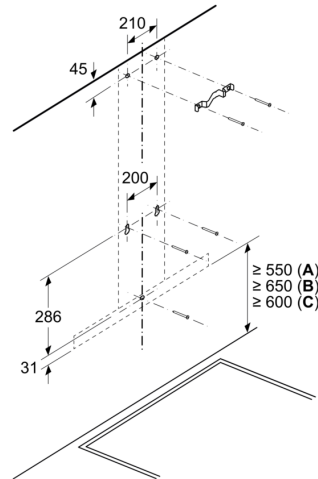
* In accordance with the EU-Regulation No 65/2014

**Series 4, Wall-mounted cooker hood,
60 cm, Stainless steel
DWB66DM50B**



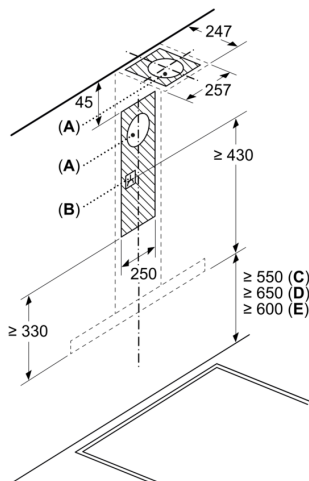
If a back panel is used,
the design of the appliance
must be considered. measurements in mm

Measurements in mm

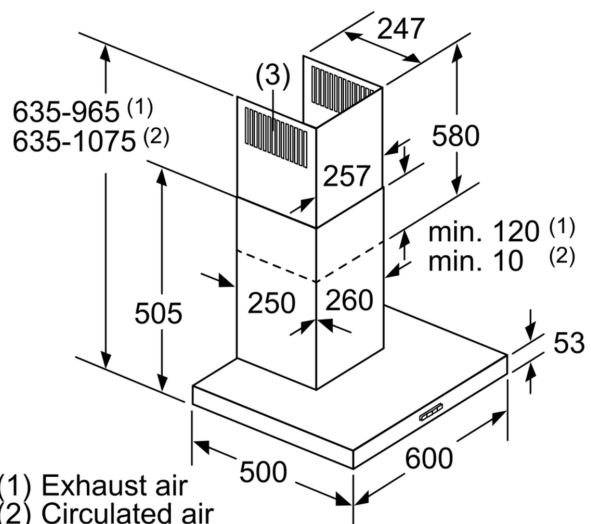


- A: Electric
- B: Gas - from upper edge of pan support
- C: Electric - for Australia and New Zealand

Measurements in mm



- A: Exhaust air outlet
- B: Socket
- C: Electric
- D: Gas - from upper edge of pan support
- E: Electric - for Australia and New Zealand



- (1) Exhaust air
 - (2) Circulated air
 - (3) Air outlet – slots for exhaust air to be mounted facing down
- measurements in mm