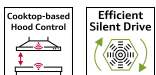


N 50, WALL-MOUNTED COOKER HOOD, 60 CM,
CLEAR GLASS BLACK PRINTED
D651FN1S0B



A+



The Inclined Hood with Efficient Silent Drive motor and Smart Hood Automatic for an automatically odor- and noise-free kitchen.

- ✓ High Extraction Rate – ensures a clear view while cooking thanks to an efficient motor technology
- ✓ Cooktop-based Hood Control – Adjust your hood's extraction level and lighting.
- ✓ Adjustable LED White Colour Temperature – easily adjust the light to the shade that's right for your kitchen
- ✓ Efficient Drive Motor – Quiet and energy-efficient hood motor for a calmer kitchen.
- ✓ Touch Control: an integrated flat surface control panel for smooth operation with a fingerswipe.

Z51KIB1X6	Clean Air Plus odor filter (replacement)
Z51KII1X6	Clean Air Plus recirculation kit
Z51KIV1X6	Clean Air Plus recirc. kit (chimless)
Z51BXK0S1	Chimney extension 1000 mm
Z51BXL0S1	Chimney extension 1500 mm

Typology:Wall-mounted
 Length electrical supply cord: 130.0 cm
 Height of the chimney:420-663/457-750 mm
 Height of the appliance:320 mm
 Minimum distance above an electric hob:450 mm
 Minimum distance above a gas hob:650 mm
 Net weight: 11.9 kg
 Type of control: Electronic
 Number of speed settings:3-stages + intensive setting
 Maximum output air extraction:431 m³/h
 Boost position output recirculating:687 m³/h
 Maximum output recirculating air:427 m³/h
 Boost position air extraction:768 m³/h
 Maximum Air flow: 431 m³/h
 Number of lights: 2
 Noise level: 56 dB(A) re 1pW
 Diameter of air outlet: 150 mm
 Grease filter material: Washable aluminium
 EAN code:4242004274063
 Connection Rating: 140 W
 Fuse protection: 10 A
 Voltage: 220-240 V
 Frequency:50; 60 Hz
 Plug type: GB plug
 Installation typology:Wall-mounted
 Delay Shut off modes: 10 min



N 50, WALL-MOUNTED COOKER HOOD, 60 CM,
CLEAR GLASS BLACK PRINTED
D651FN1SOB

Design:

- Angled glass design
- wall-mounted
- Black glass
- Suitable for ducted extraction and recirculation
- In recirculation operation chimless use possible
- For recirculation operation Clean Air Plus recirculation kit (accessory) needed.

Core Features:

- Efficient BLDC technology
- 2 PC, LED, 3W, with Colour temperature adjustable
- SoftLight with dimmer function : the lighting elements switch on and off smoothly.
- softLight with dimmer function : the brightness of the lighting elements can be adjusted.
- Colour Temperature: 3500 K
- Light Intensity: 502 lux
- 2 capture areas: front side and bottom side
- 2 metal grease filter(s).

Comfort Features:

- 3 speeds plus intensive
- Automatic reset from intensive to normal setting after 6 min.
- Automatic after running (10 minutes)

Digital Features:

- Home Connect: operate, monitor and set preferences of your hood via smartphone or tablet (only in countries where Home Connect service is available)
- Hob-Hood control (with Wi-Fi enabled hob): automatically activates the hood when cooking, thanks to the WiFi connection of hood and suitable hob.
- based on hob-hood connection: Hood automatically adapts fan speed thanks to hob continuously providing cooking data (with matching hob and connected Home Connect account)
- fully automatic hood
- Voice Control enabled via popular voice assistants (only in countries where this service is available)
- Performance Profiles: choose between standard, performance or silence profiles to increase the extraction rate or reduce the fan noise via Home Connect App
- LED light with adjustable light temperature: Allows you to adapt the light temperature to your personal needs via Home Connect App
- Saturation indicator, set and reset function for grease filter and odor filter available via Home Connect app.
- After run function: available via Home Connect App
- Interval function: available via Home Connect App
- The Home Connect functionality can be extended by integrating numerous applications from external cooperation partners (partnerships)
- Updateable appliance (available with connected Home Connect account): keep appliance always up to date with latest status of

software.

Cleaning Comfort:

- Large opening angle of the glass plate with locking function for an easy filter accessibility and easy cleaning.
- Easy to clean smooth surfaces and materials.
- metal grease filter dishwasher-safe

Performance Exhaust:

- According to EN 61591 and EN/ IEC 60704-2-13 your appliance can achieve the following values in exhaust mode: Speed 1: extraction rate 223 m³/h; noise level 39 dB (A) re1pW Speed 2: extraction rate 319 m³/h; noise level 48 dB (A) re1pW Speed 3: extraction rate 431 m³/h; noise level 56 dB (A) re1pW Intensive 1: extraction rate 768 m³/h; noise level 68 dB (A) re1pW
- Energy Efficiency Class: A+ (at a range of energy efficiency classes from A+++ to D)
- Average Energy Consumption: 31.7 kWh/year*
- Blower Efficiency Class: A*
- Lighting Efficiency Class: A*
- Grease Filtering Efficiency Class: C*

Performance Recirculation:

- According to EN 61591 and EN/ IEC 60704-2-13 your appliance can achieve the following values in recirculation mode with Clean Air plus recirculation kit, for installation with chimney (available as optional accessory): Speed 1: extraction rate 208 m³/h; noise level 47 dB (A) re1pW Speed 2: extraction rate 309 m³/h; noise level 54 dB (A) re1pW Speed 3: extraction rate 429 m³/h; noise level 62 dB (A) re1pW Intensive Speed 1: extraction rate 724 m³/h; noise level 74 dB (A) re1pW)

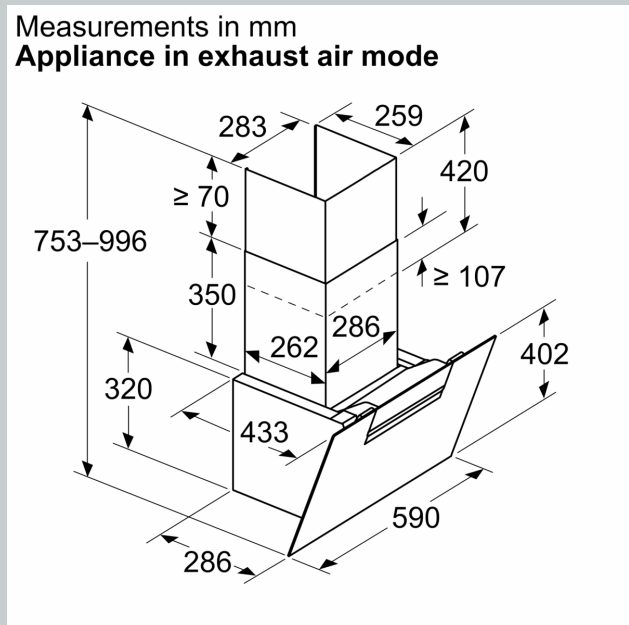
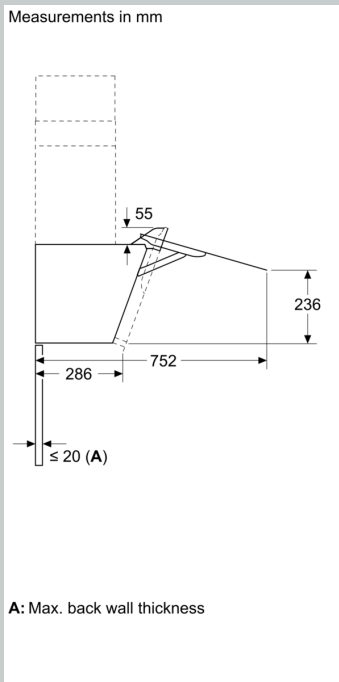
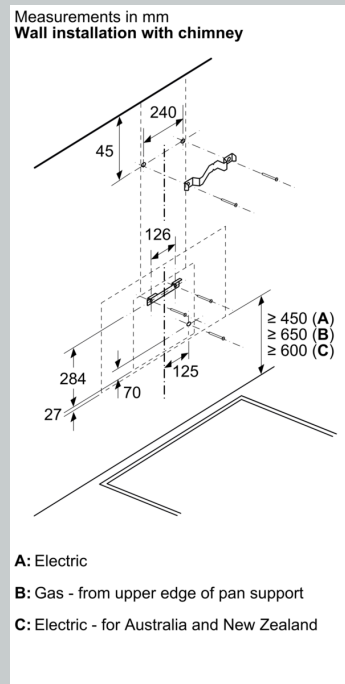
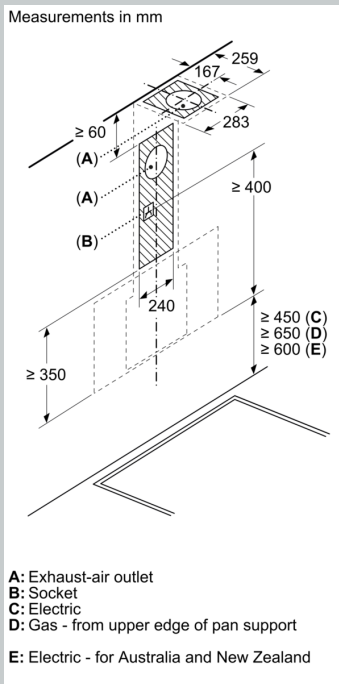
Technical Information and Sustainability:

- Consumption data:
- Voltage: Nominal voltage: 220 - 240 V
- Power rating: 140 W
- Sustainability:
- Made in Germany: produced at a CO2 neutral production site
- Environmentally friendly packaging
- Most efficient blower technology available on the market

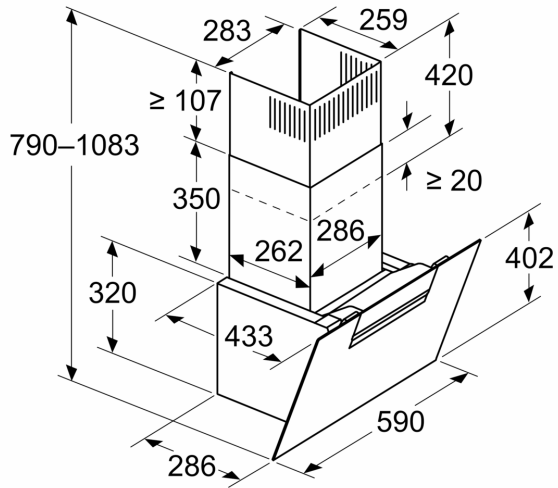
Planning and Installation Information:

- Dimensions exhaust air (HxWxD): 753-996 x 590 x 433 mm
- Dimensions recirculating (HxWxD): 790-1083 x 590 x 433 mm
- Dimensions recirculating installation, chimless (HxWxD): 360 mm x 590 mm
- x 433 mm
- Diameter pipe Ø 150 mm (Ø 150 mm enclosed)
- Electrical cable length 1.3 m

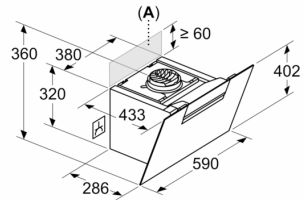
*N 50, WALL-MOUNTED COOKER HOOD, 60 CM,
CLEAR GLASS BLACK PRINTED
D651FN1SOB*



Measurements in mm
Appliance in circulated air mode



Measurements in mm
Appliance in circulated air mode without duct



Socket can be fitted to the side of or above the appliance

A: Socket only outside the marked area