

N 70, WALL-MOUNTED COOKER HOOD, 60 CM,
STAINLESS STEEL
D65BMP5NOB



A



Z50XXP0X0 Long Life odor filter (replacement), Z5101X1 Standard odor filter (replacement), Z5101X5 Standard recirculation kit, Z51CB1X4 Clean Air Standard recirculation kit, Z51CX1X6 Clean Air Plus recirculation kit, Z51FXC1N6 Clean Air Plus recirc. kit external, Z51FXD1N1 Long Life recirculation kit external, Z51FXJ0X5 Long Life recirculation kit, Z53CXB1X4 Clean Air Standard odor filter (repl.), Z53XXB1X6 Clean Air Plus odor filter (replacement), Z5860N0 Back panel stainless steel, Z5865N0 Stainless steel back panel 600 mm, Z5905N0 Chimney extension 1000 mm, Z5915N0 Chimney extension 1500 mm

The coordinating and stylish Neff box hood is modern in design and keeps up with your cooking.

- ✓ Efficient Drive Motor – Quiet and energy-efficient hood motor for a calmer kitchen.
- ✓ Touch Control: an integrated flat surface control panel for smooth operation with a fingerswipe.
- ✓ Intensive speed setting: increases the extraction rate when the steam gets intense
- ✓ Dimmer Function – easily dim the light according to your mood with the touch of a button
- ✓ Interval Ventilation – automatically ventilates every hour for crisp, clean air

Typology: Wall-mounted
 Length electrical supply cord: 130.0 cm
 Height of the chimney: 582-908/568-1018 mm
 Height of the appliance: 46 mm
 Minimum distance above an electric hob: 550 mm
 Minimum distance above a gas hob: 650 mm
 Net weight: 14.7 kg
 Type of control: Electronic
 Number of speed settings: 3-stage + 2 intensive
 Maximum output air extraction: 414 m³/h
 Boost position output recirculating: 409 m³/h
 Maximum output recirculating air: 330 m³/h
 Boost position air extraction: 657 m³/h
 Maximum Air flow: 414 m³/h
 Number of lights: 2
 Noise level: 61 dB(A) re 1pW
 Diameter of air outlet: 120 / 150 mm
 Grease filter material: Washable stainless steel
 EAN code: 4242004234890
 Connection Rating: 143 W
 Fuse protection: 10 A
 Voltage: 220-240 V
 Frequency: 50; 60 Hz
 Plug type: GB plug
 Installation typology: Wall-mounted
 Delay Shut off modes: 10 min



*N 70, WALL-MOUNTED COOKER HOOD, 60 CM,
STAINLESS STEEL
D65BMP5NOB*

Key performance features:

- Energy Efficiency Class: A (at a range of energy efficiency classes from A+++ to D)
- Extraction rate according to EN 61591 \varnothing 15 cm:
- max. Normal use 414 m³/h
- Intensive 657 m³/h
- Noise max. Normal Level: Noise, max. speed in normal us: 61 dB dB*

Features

- Touch control
- 3 power levels and 2 intensive settings
- 2 x 1.5w LED Light
- softLight with dimmer function
- Efficient BLDC-technology
- Interval operation
- Automatic after running (Automatic after running (10 minutes))
- Automatic intensive revert (6mins)
- 2 metal grease filter cassettes
- Saturation indicator for metal and charcoal filter
- Noise reduction function
- easy to clean Inner frame

Design

- Chimney hood
- Installation: wall
- Electronic controls

Performance/technical information

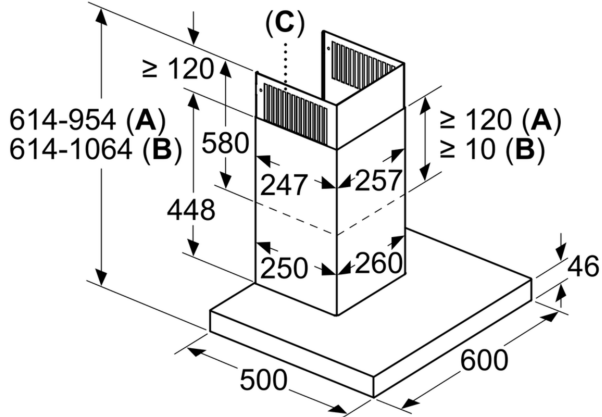
- Suitable for ducted extraction and recirculation
- For recirculated extraction recirculating kit or CleanAir recirculating kit (accessory) needed
- Extraction rate according to EN 61591 max. 657 m³/h
- Noise level according to EN 60704-3 and EN 60704-2-13 at max. normal use exhaust air: 61 dB(A) re 1 pW
- Noise level according to EN 60704-3 and EN 60704-2-13 exhaust air:
- Max. normal use: 61 dB(A) re 1 pW
- Intensive: 71 dB(A) re 1 pW
- Noise level according to EN 60704-3 and EN 60704-2-13 at maximum normal setting: extraction rate: 61 dB (A) re 1 pW
- With the Clean Air Plus recirculation kit (available as optional accessory) your appliances reaches:
- Extraction rate in recirculation mode: Max. normal use: 330 m³/h
- Intensive: 409 m³/h
- Noise level in recirculation mode: Max. normal use: 67 dB(A) re 1 pW
- Intensive: 71 dB(A) re 1 pW
- Power rating: 143 W
- Light Intensity: 267 lux
- Colour Temperature: 3500 K
- Electrical cable length 1.3 m

- Diameter pipe \varnothing 150 mm (\varnothing 120 mm enclosed)
- Dimensions exhaust air (HxWxD): 614-954 x 598 x 500 mm
- Dimensions recirculating (HxWxD): 614-1064 x 598 x 500 mm
- Dimensions recirculating with CleanAir module (HxWxD): 795-1139 x 598 x 500 mm
- Blower Efficiency Class: A*
- Lighting Efficiency Class: A*
- Grease Filtering Efficiency Class: B*
- Average Energy Consumption: 35.3 kWh/year*

* In accordance with the EU-Regulation No 65/2014

N 70, WALL-MOUNTED COOKER HOOD, 60 CM,
STAINLESS STEEL
D65BMP5NOB

measurements in mm



- A: Air extraction
- B: Air recirculation
- C: Air outlet – slots for exhaust air to be mounted facing down

