

N 50, WALL-MOUNTED COOKER HOOD, 60 CM,
STAINLESS STEEL
D64BHM1NOB



B

The coordinating and stylish Neff box hood is modern in design and keeps up with your cooking.

- ✓ Touch Control: an integrated flat surface control panel for smooth operation with a fingerswipe.
- ✓ Intensive speed setting: increases the extraction rate when the steam gets intense
- ✓ LED Lighting – Clear illumination while you cook.
- ✓ Reduced Noise: our optimised motor guarantees a quiet cooking experience.

Z51DXI1X6 Clean Air Plus recirculation kit, Z51DXU0X0 Standard recirculation kit, Z51FXC1N6 Clean Air Plus recirc. kit external, Z51FXD1N1 Long Life recirculation kit external, Z51FXJ0X0 Long Life recirculation kit, Z53XXB1X6 Clean Air Plus odor filter (replacement), Z5860N0 Back panel stainless steel, Z5865N0 Stainless steel back panel 600 mm, Z5905N0 Chimney extension 1000 mm, Z5915N0 Chimney extension 1500 mm, Z50XXP0X0 Long Life odor filter (replacement), Z51DXA0X0 Standard odor filter (replacement), Z51DXB1X4 Clean Air Standard odor filter (repl.), Z51DXI1X4 Clean Air Standard recirculation kit

Typology:Wall-mounted
 Length electrical supply cord: 130.0 cm
 Height of the chimney:583-912/583-1022 mm
 Height of the appliance: 53 mm
 Minimum distance above an electric hob: 550 mm
 Minimum distance above a gas hob: 650 mm
 Net weight: 11.5 kg
 Type of control: Electronic
 Number of speed settings:3-stages + intensive setting
 Maximum output air extraction:368 m³/h
 Boost position output recirculating:441 m³/h
 Maximum output recirculating air: 337 m³/h
 Boost position air extraction:605 m³/h
 Maximum Air flow: 368 m³/h
 Number of lights: 2
 Noise level: 60 dB(A) re 1pW
 Diameter of air outlet: 120 / 150 mm
 Grease filter material: Washable aluminium
 EAN code:4242004224044
 Connection Rating: 220 W
 Fuse protection:10 A
 Voltage: 220-240 V
 Frequency: 50; 60 Hz
 Plug type: GB plug
 Installation typology:Wall-mounted



N 50, WALL-MOUNTED COOKER HOOD, 60 CM,
STAINLESS STEEL
D64BHM1NOB

Key performance features:

- Energy Efficiency Class: B (at a range of energy efficiency classes from A+++ to D)
- Extraction rate according to EN 61591 ø 15 cm:
- max. Normal use 368 m³/h
- Intensive 605 m³/h
- Noise max. Normal Level: Noise, max. speed in normal us: 60 dB dB*

Features

- Touch control
- LED display
- 3 speeds plus intensive
- 2 x 1.5w LED Light
- Colour Temperature: 3500 K
- Automatic intensive revert (6mins)
- 2 metal grease filter cassettes
- Installation: wall

Design

- Chimney hood
- Electronic controls

Performance/technical information

- Suitable for ducted extraction and recirculation
- For recirculated extraction recirculating kit or CleanAir recirculating kit (accessory) needed
- Max. extraction rate: 605 m³/h
- Noise level according to EN 60704-3 and EN 60704-2-13 at max. normal use exhaust air: 60 dB(A) re 1 pW
- Noise level according to EN 60704-3 and EN 60704-2-13 exhaust air:
- Max. normal use: 60 dB(A) re 1 pW
- Intensive: 69 dB(A) re 1 pW
- Noise level according to EN 60704-3 and EN 60704-2-13 at maximum normal setting: extraction rate: 60 dB (A) re 1 pW
- With the Clean Air Plus recirculation kit (available as optional accessory) your appliances reaches:
- Extraction rate in recirculation mode: Max. normal use: 337 m³/h
- Intensive: 441 m³/h
- Noise level in recirculation mode: Max. normal use: 70 dB(A) re 1 pW
- Intensive: 74 dB(A) re 1 pW
- Power rating: 220 W
- Light Intensity: 242 lux
- Electrical cable length 1.3 m
- Diameter pipe ø 150 mm (ø 120 mm enclosed)
- Dimensions exhaust air (HxWxD): 635-965 x 600 x 500 mm
- Dimensions recirculating (HxWxD): 635-1075 x 600 x 500 mm
- Dimensions recirculating with CleanAir module (HxWxD):
- 703 x 600 x 500 mm - mounting with outer chimney
- 833-1163 x 600 x 500 mm - mounting with telescopic chimney

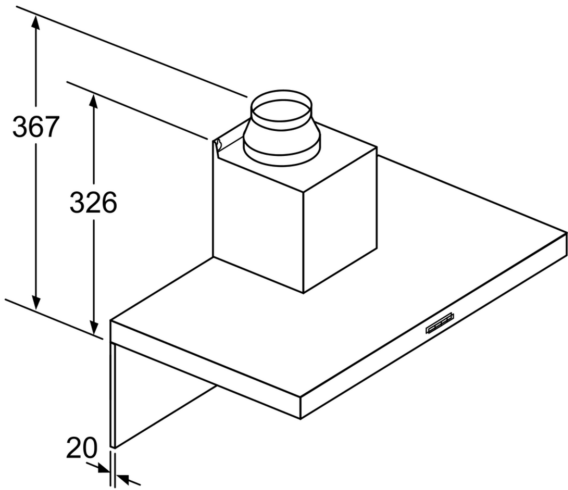
- Blower Efficiency Class: A*
- Lighting Efficiency Class: A*
- Grease Filtering Efficiency Class: B*
- Average Energy Consumption: 48.1 kWh/year*

Optional accessories

- Recirculating kit Z51DX11X6

* In accordance with the EU-Regulation No 65/2014

N 50, WALL-MOUNTED COOKER HOOD, 60 CM,
STAINLESS STEEL
D64BHM1NOB



If a back panel is used,
the design of the appliance
must be considered. measurements in mm

