

N 70, CANOPY COOKER HOOD, 52 CM, BLACK  
D54NAC1SOB



Canopy hood: designed to fit neatly under an overhead unit or cabinet. They're discreet and effectively use valuable space.

- ✓ High extraction rate - for continuously clean air in the kitchen.
- ✓ LED Lighting – Clear illumination while you cook.
- ✓ Hidden Design: Seamlessly integrate your hood in a flush fitted cupboard design.
- ✓ Intensive Setting: the powerful way to beat intense steam during cooking, with automatic revert.

Z5135X1	Standard odor filter (replacement)
Z5135X3	Standard recirculation kit
Z51ITD1X1	Long Life recirculation kit external
Z51ITP0X0	Long Life odor filter (replacement)
Z51IXB1X6	Clean Air Plus odor filter (replacement)
Z51IXC1X6	Clean Air Plus recirc. kit external

Typology:	..... Built-in/Built-under
Length electrical supply cord:	..... 150.0 cm
Required niche size for installation (HxWxD):	..... 345mm x 496.0mm x 264mm mm
Height of the appliance:	..... 345 mm
Minimum distance above an electric hob:	..... 500 mm
Minimum distance above a gas hob:	..... 650 mm
Net weight:	..... 7.6 kg
Type of control:	..... Electronic
Number of speed settings:	..... 3-stages + intensive setting
Maximum output air extraction:	..... 570 m <sup>3</sup> /h
Boost position output recirculating:	..... 628 m <sup>3</sup> /h
Maximum output recirculating air:	..... 560 m <sup>3</sup> /h
Boost position air extraction:	..... 645 m <sup>3</sup> /h
Maximum Air flow:	..... 570 m <sup>3</sup> /h
Number of lights:	..... 2
Noise level:	..... 66 dB(A) re 1pW
Diameter of air outlet:	..... 120 / 150 mm
Grease filter material:	..... Washable aluminium
EAN code:	..... 4242004282648
Connection Rating:	..... 252 W
Fuse protection:	..... 3 A
Voltage:	..... 220-240 V
Frequency:	..... 60; 50 Hz
Plug type:	..... GB plug
Installation typology:	..... Built-in



## N 70, CANOPY COOKER HOOD, 52 CM, BLACK D54NAC1S0B

### Design:

- Canopy hood
- Installation: Cabinet
- Flush-fitted installation for a seamless integration in wall cupboards.
- Suitable for ducted extraction and recirculation
- For recirculated extraction various recirculation kits are available as optional accessories.

### Core Features:

- 2 x 1W LED lights
- Colour Temperature: 4000 K
- Light Intensity: 400 lux
- Capacitor motor
- 1 metal grease filter(s).

### Comfort Features:

- Soft touch control with LED display
- 3 speeds plus intensive
- Automatic reset from intensive to normal setting after 6 min

### Cleaning Comfort:

- metal grease filter dishwasher-safe
- Easy to clean smooth surfaces and materials.

### Performance Exhaust:

- According to EN 61591 and EN/ IEC 60704-2-13 your appliance can achieve the following values in exhaust mode: Speed 1: extraction rate 295 m<sup>3</sup>/h; noise level 50 dB (A) re1pW Speed 2: extraction rate 445 m<sup>3</sup>/h; noise level 59 dB (A) re1pW Speed 3: extraction rate 570 m<sup>3</sup>/h; noise level 66 dB (A) re1pW Intensive 1: extraction rate 645 m<sup>3</sup>/h; noise level 68 dB (A) re1pW
- Energy Efficiency Class: B (at a range of energy efficiency classes from A+++ to D)
- Average Energy Consumption: 75.2 kWh/year\*
- Blower Efficiency Class: C\*
- Lighting Efficiency Class: A\*
- Grease Filtering Efficiency Class: D\*

### Performance Recirculation:

- According to EN 61591 and EN/ IEC 60704-2-13 your appliance can achieve the following values in recirculation mode with standard recirculation kit (available as optional accessory): Speed 1: extraction rate 230 m<sup>3</sup>/h; noise level 62 dB (A) re1pW Speed 2: extraction rate 330 m<sup>3</sup>/h; noise level 69 dB (A) re1pW Speed 3: extraction rate 400 m<sup>3</sup>/h ; noise level 72 dB (A) re1pW Intensive Speed 1: extraction rate 410 m<sup>3</sup>/h; noise level 74 dB (A) re1pW
- According to EN 61591 and EN/ IEC 60704-2-13 your appliance can achieve the following values in recirculation mode with Clean Air plus recirculation kit, for chimless installation (available as optional accessory): Speed 1: extraction rate 280 m<sup>3</sup>/h ; noise level 56 dB (A) re1pW Speed 2: extraction rate 430 m<sup>3</sup>/h ; noise level 69 dB (A) re1pW Speed 3: extraction rate 560 m<sup>3</sup>/h ; noise level 69 dB (A) re1pW Intensive Speed 1: extraction rate 628 m<sup>3</sup>/h ; noise level 72 dB (A) re1pW

### Technical Information and Sustainability:

- Consumption data:

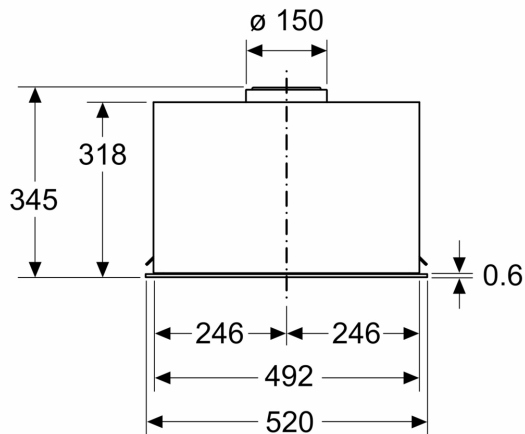
- Power rating: 252 W
- Voltage: Nominal voltage: 220 - 240 V
- Sustainability:
- Environmentally friendly packaging
- Available odour filter as regenerative Long Life filter with 10 years lifetime

### Planning and Installation Information:

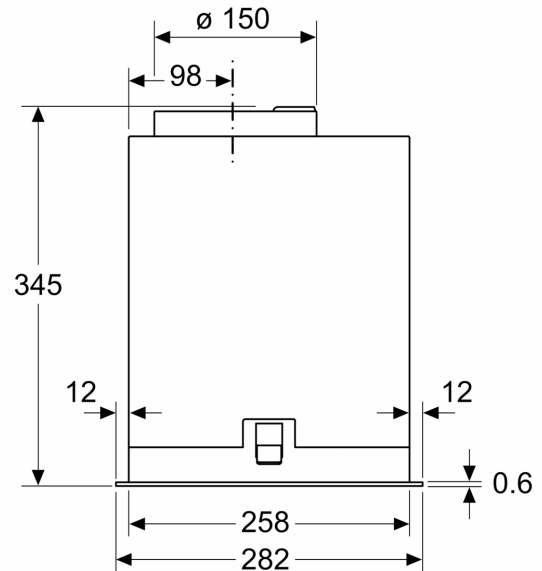
- Dimensions (HxWxD): 345 x 520 x 282 mm
- Dimensions recirculating (HxWxD): 345-345 x 520 x 282 mm
- Built-in dimensions (HxWxD): 345 x 496 x 264 mm
- Please reference the built-in dimensions provided in the installation drawings
- Electrical cable length 1.5 m
- Diameter pipe Ø 150 mm (Ø 120 mm enclosed)
- Back-pressure flap: Yes

N 70, CANOPY COOKER HOOD, 52 CM, BLACK  
D54NAC1S0B

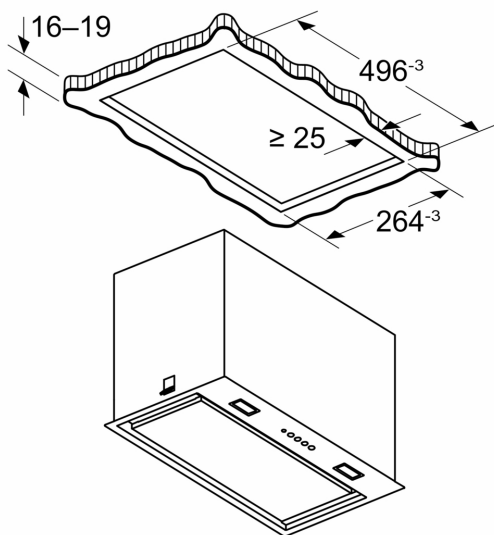
Measurements in mm



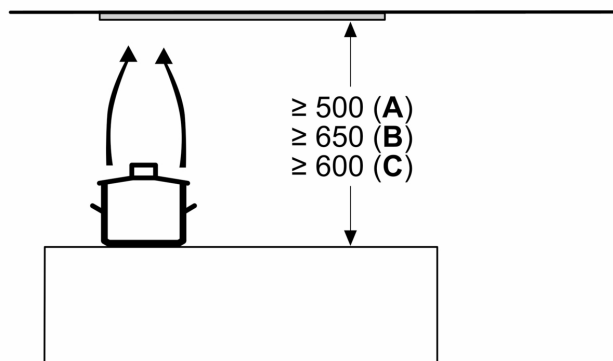
Measurements in mm



Measurements in mm



Measurements in mm



**A:** Electric

**B:** Gas - from upper edge of pan support

**C:** Electric - for Australia and New Zealand