

N 30, CANOPY COOKER HOOD, 53 CM, ANTHRACITE
D51NAA1COB



Canopy hood: designed to fit neatly under an overhead unit or cabinet. They're discreet and effectively use valuable space.

- ✓ LED Lighting – Clear illumination while you cook.
- ✓ High extraction rate - for continuously clean air in the kitchen.
- ✓ Reduced Noise: our optimised motor guarantees a quiet cooking experience.

Z51INA0X0 Standard odor filter (replacement)
Z51INT0X0 Standard recirculation kit

Typology: Built-in/Built-under
 Length electrical supply cord: 150.0 cm
 Min. required niche size for installation (HxWxD): 208mm x 493.0mm x 257mm mm
 Minimum distance above an electric hob: 550 mm
 Minimum distance above a gas hob: 650 mm
 Net weight: 4.5 kg
 Type of control: mechanical
 Number of speed settings: 3
 Maximum output air extraction: 302 m³/h
 Maximum output recirculating air: 300 m³/h
 Maximum Air flow: 302 m³/h
 Number of lights: 2
 Noise level: 62 dB(A) re 1pW
 Diameter of air outlet: 120 mm
 Grease filter material: Washable aluminium
 EAN code: 4242004234432
 Connection Rating: 121 W
 Fuse protection: 5 A
 Voltage: 220-240 V
 Frequency: 50 Hz
 Plug type: GB plug
 Installation typology: Built-in



N 30, CANOPY COOKER HOOD, 53 CM, ANTHRACITE
D51NAA1COB

Key performance features:

- Energy Efficiency Class: D (at a range of energy efficiency classes from A+++ to D)
- Max. extraction rate: 302 m³/h
- Noise max. Normal Level: Noise, max. speed in normal us: 62 dB dB*

Features

- Slide control operation
- 3 power levels
- 2 x 3W LED
- Colour Temperature: 2700 K
- 1 metal grease filter cassette
- Installation: integrated

Design

- Canopy hood
- Mechanical controls

Performance/technical information

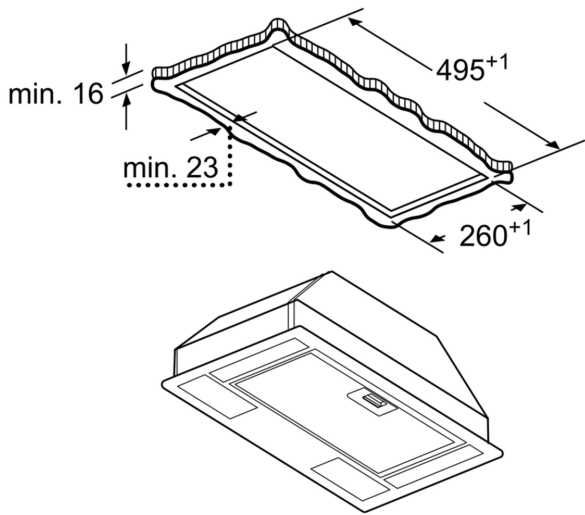
- Suitable for ducted extraction and recirculation
- For recirculated extraction recirculating kit (accessory) needed
- Extraction rate according to EN 61591: max. 302 m³/h
- Noise level according to EN 60704-3 and EN 60704-2-13 at maximum normal setting: extraction rate: 62 dB(A) re 1 pW (48 dB(A) re 20 µPa sound pressure)
- Noise level according to EN 60704-3 and EN 60704-2-13 at maximum normal setting: extraction rate: 62 dB (A) re 1pW
- Power rating: 121 W
- Light Intensity: 78 lux
- Electrical cable length 1.5 m
- Diameter pipe Ø 120 mm (Ø 120 mm enclosed)
- Dimensions exhaust air (HxWxD): 208-208 x 534 x 300 mm
- Dimensions recirculating (HxWxD): 208-208 x 534 x 300 mm
- Mounting dimensions: width: 49 cm, depth: 26 cm
- Blower Efficiency Class: E*
- Lighting Efficiency Class: D*
- Grease Filtering Efficiency Class: D*
- Average Energy Consumption: 67.7 kWh/year*

Optional accessories

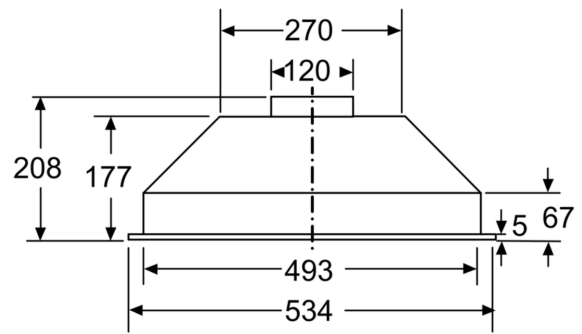
- Recirculating kit Z51INA0X0

* In accordance with the EU-Regulation No 65/2014

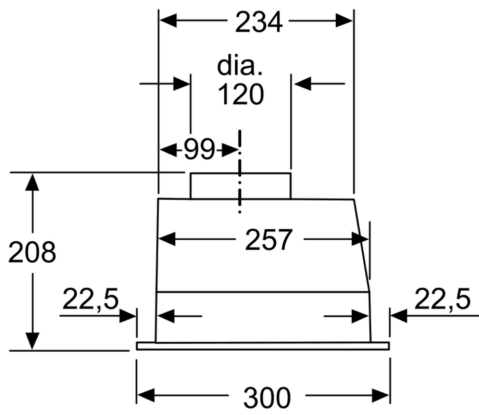
N 30, CANOPY COOKER HOOD, 53 CM, ANTHRACITE
D51NAA1COB



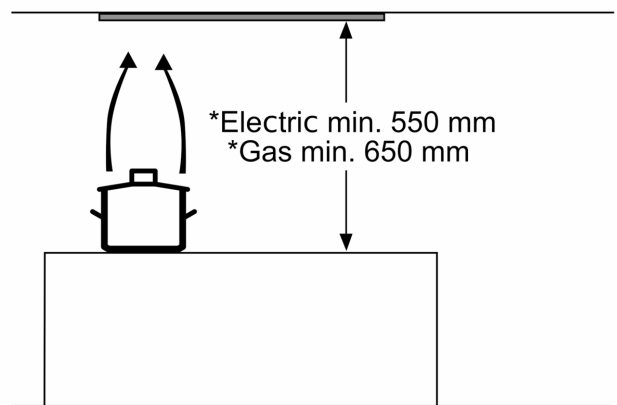
measurements in mm



measurements in mm



measurements in mm



* from upper edge of pan support

measurements in mm