

**iQ700, Built-in compact oven with microwave function, 60 x 45 cm, Black  
CM778GNB1B**



Shorten your cooking time thanks to varioSpeed, fast preheat and activeClean. And remote your oven from anywhere with Home Connect.

- ✓ cookControl Pro: excellent results, whatever the recipe.
- ✓ Oven Assistant with Voice Control: intuitively select the right programme.
- ✓ activeClean®: the automatic, self-cleaning oven system.
- ✓ Home Connect with Remote Control: unlock the full potential of your smart oven.
- ✓ bakingSensor Plus and roastingSensor Plus: perfect baking and roasting results.



Additional functions: ..... Microwave combination oven  
 Control panel: ..... Electronic  
 Dimensions: ..... 455x594x548 mm  
 Cavity dimensions: ..... 237.0 x 480 x 392.0 mm  
 Length electrical supply cord: ..... 150.0 cm  
 Weight: ..... 36.2 kg  
 Gross weight: ..... 39.2 kg  
 EAN code: ..... 4242003901311  
 Maximum micro-wave power: ..... 900 W  
 Connection Rating: ..... 3600 W  
 Fuse protection: ..... 16 A  
 Nominal power: ..... 220-240 V  
 Frequency: ..... 50; 60 Hz  
 Plug type: ..... no plug (electrical connection by electrician)  
 Included accessories: ..... 2 x combination grid, 1 x universal pan



2 x combination grid, 1 x universal pan



HZ327000 Baking stone, HZ531010 Baking tray, non-stick ceramic coated, HZ532010 Universal pan, non-stick ceramic coated, HZ617000 Pizza pan, enamelled, HZ629070 Air Fry & Grill tray, HZ631070 Baking tray, enamelled, HZ632070 Multipurpose pan, enamelled, HZ634000 Baking and roasting grid (standard), HZ636000 Glass pan, HZ664000 Baking and roasting grid (steam), HZ66X600 Decor list, HZ66X650 Cover Strip, HZ915003 Glass roasting dish, 5,4 L

## iQ700, Built-in compact oven with microwave function, 60 x 45 cm, Black CM778GNB1B

### Features

- Compact oven with microwave with 21 heating methods: conventional top & bottom heating, full width grill, half width grill, coolStart, bottom heat, intensive conventional heat, low temperature cooking, keep warm, dehydrate, plate warming, Conventional heat gentle, Microwave, 4D Hot air, Conventional heat, Full width grill, Half width grill, Hot air grilling
- Max. Power: 900 W; 5 Microwave power settings (90 W, 180 W, 360 W, 600 W, boost) with Inverter (MW)
- Intelligent microwave inverter technology: For optimised results maximum output power will be regulated to 600 W when used in longer operation for gentler cooking.
- Temperature range 30 °C - 275 °C
- Cavity volume: 45 litres

### Level independent telescopic rails

- 3 shelf positions
- 1 level telescopic shelf, pyrolytic proof

### Design

- Touch control
- Cavity inner surface: enamel anthracite

### Cleaning

- activeClean
- hydrolyse program

### Programmes/functions

- Oven Assistant with Voice Control
- SE63
- Electronic oven clock timer
- Digital temperature display with proposal
- Actual temperature display Heating-up indicator Temperature probe
- Drop down oven door, softClose, softOpen
- cookControl Plus
- Fast preheat
- coolStart
- LED light, Light on/off when door opened/closed
- Integral cooling fan
- WLAN - Home connect enabled

### Accessories

- 2 x combination grid, 1 x universal pan

### Features

- Maximum door temperature 30 °C
- Electronic door lock
- Control panel lock Automatic safety switch off Residual heat indicator Start button Door contact switch

### Technical information

- Power cord length 150 cm Cable length
- Nominal voltage: 220 - 240 V

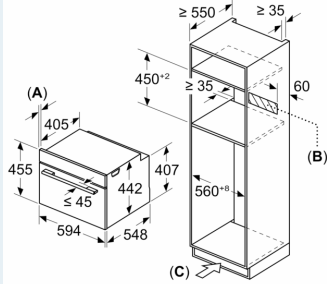
- Total connected load electric: 3.6 KW

### Performance/technical information

- Appliance dimension (hxwx): 455 mm x 594 mm x 548 mm
- Niche dimension (hxwx): 450 mm - 455 mm x 560 mm - 568 mm x 550 mm
- Please refer to the dimensions provided in the installation manual

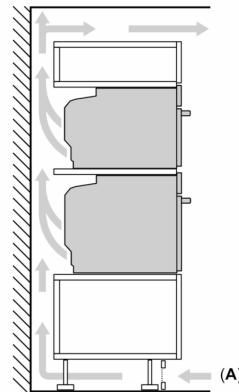
**iQ700, Built-in compact oven with microwave function, 60 x 45 cm, Black  
CM778GNB1B**

Measurements in mm

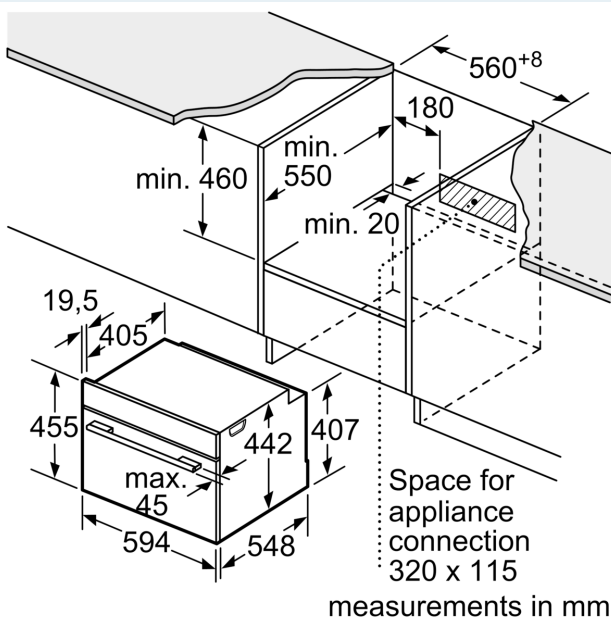


- A: 19.5 mm
- B: Space for appliance connection 320 x 115 mm
- C: Ventilation space in the base  $\geq 200 \text{ cm}^2$

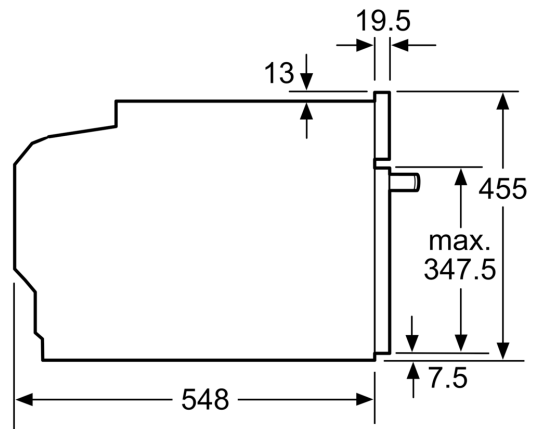
Installing two appliances on top of each other  
Air exchange



A: Air inlet  $\geq 200 \text{ cm}^2$

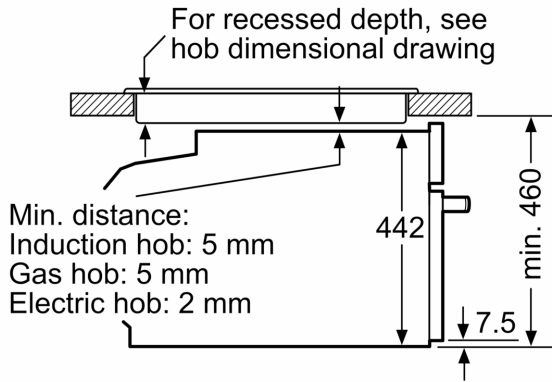


measurements in mm



measurements in mm

Installation with a hob.



measurements in mm

If the compact appliance will be installed underneath a hob, the following worktop thicknesses (including substructure if necessary) must be taken into account.

Hob type	min. worktop thickness	
	fitted	flush
Induction hob	42 mm	43 mm
Full surface Induction hob	52 mm	53 mm
Gas hob	32 mm	43 mm
Electric hob	32 mm	35 mm