



CAPLE CARE

FREE 2 YEAR
PARTS & LABOUR
GUARANTEE

GAS-ON-GLASS HOB

DirectHeat+



PRODUCT CODE

C789G

DIMENSIONS

w:874mm

FINISH AVAILABLE

Black glass with stainless steel control panel

FEATURES

- DirectHeat+
- Flame safety device
- Cast iron pan supports
- Auto electronic ignition
- LPG jets included

COOKING OUTPUT

5 Gas Burners

- 1 Triple ring burner: 4.2kW
- 1 rapid burner: 2.7kW
- 2 semi-rapid burners: 1.75kW
- 1 simmer burner: 1.0kW

OPTIONAL EXTRAS

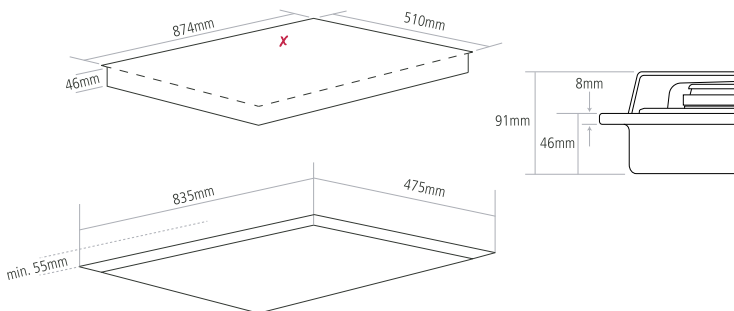
- Cast iron induction griddle [IGRIDDLE2]

Visit caple.co.uk for full range

INSTALLATION

- Fuse rating 3A

DIMENSIONS



X Gas Connection

Features

DirectHeat+

Developed with cutting-edge design and outstanding efficiency in mind, DirectHeat+ sends the heat upwards directly towards the base of the pan via 45° inclined flame. More heat hits the base of the pan rather than escaping around the sides, therefore decreasing boiling time and bringing food to temperature more rapidly.