

N 70, BUILT-IN OVEN, 60 X 60 CM,  
GRAPHITE-GREY  
B54CR31G0B



A+

2 x combination grid, 1 x universal pan

Z11AB15A0 Baking tray, non-stick ceramic coated, Z11AU15A0 Universal pan, non-stick ceramic coated, Z11CR10X0 Baking and roasting grid (standard), Z11GU20X0 Glasspan, Z11SZ00X0 SeamlessCombination mounting kit, Z11SZ80G0 SeamlessCombination 60 + 29cm, Z11SZ90G0 SeamlessCombination 60 + 45cm, Z11TI15X0 Cliprails, Z1913X0 Baking Stone, Z12CB10A0 Baking tray, enamelled, Z12CL10A0 Lid for professional pan, enamelled, Z12CM10A0 Moussaka pan, enamelled, Z12CN10A0 Professional pan, enamelled, Z12CP10A0 Pizza pan, enamelled, Z12CU10A0 Multipurpose pan, enamelled, Z1365WX0 Wireless food thermometer, Z13CR10X0 Baking and roasting grid (steam), Z13CV06S0 Decor strip, Z1608BX0 Full ext rails, level independent, Z1650BE0 Half tray, Z1655CA0 Air Fry & Grill tray

Built-in oven with Slide & Hide® - an easy to handle door that gently disappears under the oven. Home Connect - control your oven via the App.

- ✓ 3.7-inch Full Touch TFT Display: intuitive navigation for easy use and complete control.
- ✓ Slide & Hide®: the easy-to-handle oven door that slides away for unrestricted access.
- ✓ Circo Therm®: smart solution for even baking on up to three levels at once.
- ✓ Eco Clean with Easy Clean: the perfect cleaning partnership.
- ✓ Soft Open: self-regulating doors for a quieter oven.

Built-in / Free-standing: ..... Built-in  
Integrated Cleaning system: ..... EcoClean  
programme, Hydrolytic  
Min. required niche size for installation (HxWxD): ..... 585-595 x  
560-568 x 550 mm  
Dimensions: ..... 595x596x548 mm  
Dimensions of the packed product (HxWxD): . 675 x 660 x 690 mm  
Control Panel Material: ..... Stainless steel  
Door Material: ..... Glass  
Net weight: ..... 34.7 kg  
Usable volume of cavity: ..... 71 l  
Cooking method: ..... Bread Baking Setting, Full width grill, Dough  
proving setting, Hotair gentle, Hot Air, Half width grill,  
Conventional heat, Conventional heat gentle, Pizza setting, low  
temperature cooking, Bottom heat, Hot air grilling, pre-heating,  
warming  
Oven control: ..... electronic  
Number of interior lights: ..... 1  
Length electrical supply cord: ..... 120.0 cm  
EAN code: ..... 4242004265863  
Number of cavities (2010/30/EC): ..... 1  
Energy efficiency rating: ..... A+  
Energy consumption per cycle conventional (2010/30/EC): 0.87  
kWh/cycle  
Energy consumption per cycle forced air convection  
(2010/30/EC): ..... 0.69 kWh/cycle  
Energy efficiency index (2010/30/EC): ..... 81.2 %  
Connection Rating: ..... 3600 W  
Fuse protection: ..... 16 A  
Voltage: ..... 220-240 V  
Frequency: ..... 50; 60 Hz  
Plug type: ..... no plug  
(electrical connection by electrician)  
Included accessories: ..... 2 x combination grid, 1 x universal pan



N 70, BUILT-IN OVEN, 60 X 60 CM,  
GRAPHITE-GREY  
B54CR31G0B

- Oven with 14 heating methods: CircoTherm®, Top/bottom heat, Circo-roasting, Full surface grill, Centre surface grill, CircoTherm® intensive, Bread baking, Bottom heat, Low temperature cooking, Dough proving, Plate warming, Keep warm, CircoTherm® gentle, Conventional heat gentle

#### Design

- Graphite-Grey Edition
- Touch control
- Cavity inner surface: enamel anthracite

#### Features

- HomeConnect ready on WLAN
- Oven Assistant with Voice Control
- Control panel lock
- Automatic safety switch off Residual heat indicator Start button Door contact switch
- Full glass inner door

#### Programmes/functions

- Temperature range 40 °C - 200 °C
- LED light, On/off button
- Electronic clock timer
- Slide&Hide® with rotating handle
- SoftOpen
- Heat reflective glass
- Triple glazed door glazed CoolTouch door
- Temperature proposal
- Actual temperature display Heating up indicator
- cookControl Plus
- Rapid heat
- Cooling fan
- Stainless-steel fan

#### Level independent telescopic rails

- 4 shelf positions
- Available as an accessory

#### Cleaning

- EcoClean Direct : back panel
- EasyClean

#### Accessories

- 2 x combination grid, 1 x universal pan

#### Performance/technical information

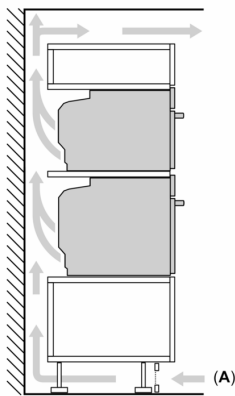
- 120 cm Cable length
- Nominal voltage: 220 - 240 V
- Total connected load electric: 3.6 KW
- Energy efficiency rating (acc. EU Nr. 65/2014): A+
- Energy consumption per cycle in conventional mode:0.87 kWh
- Energy consumption per cycle in fan-forced convection mode:0.69 kWh
- Number of cavities: Main cavity Heat source: electrical Cavity

volume:71 litre

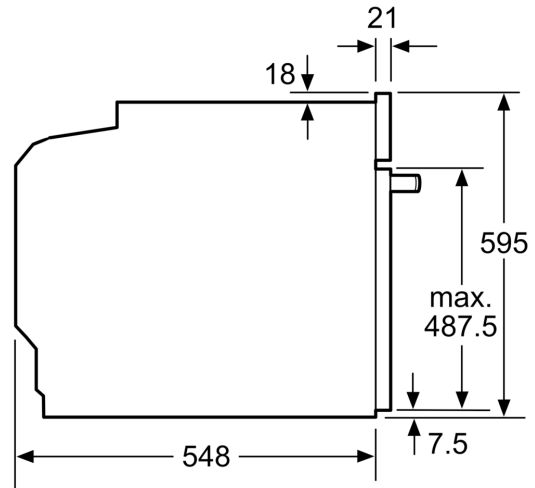
- Appliance dimension (hxwx): 595 mm x 596 mm x 548 mm
- Niche dimension (hxwx): 585 mm - 595 mm x 560 mm - 568 mm x 550 mm
- Please refer to the dimensions provided in the installation manual

N 70, BUILT-IN OVEN, 60 X 60 CM,  
GRAPHITE-GREY  
B54CR31G0B

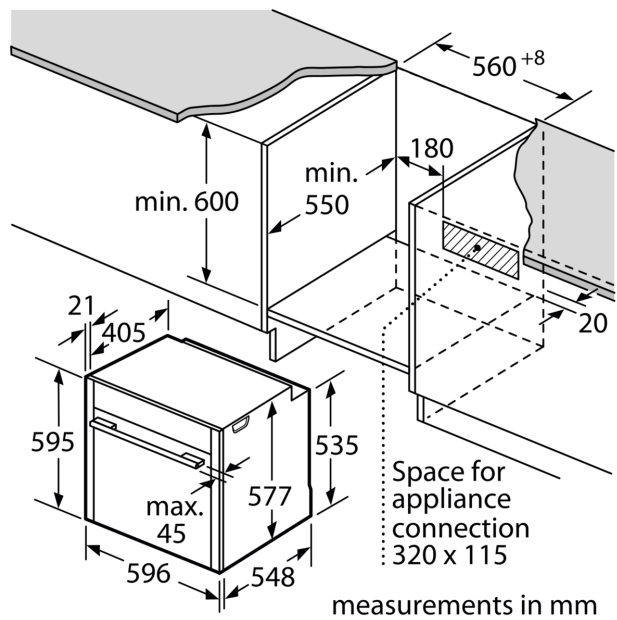
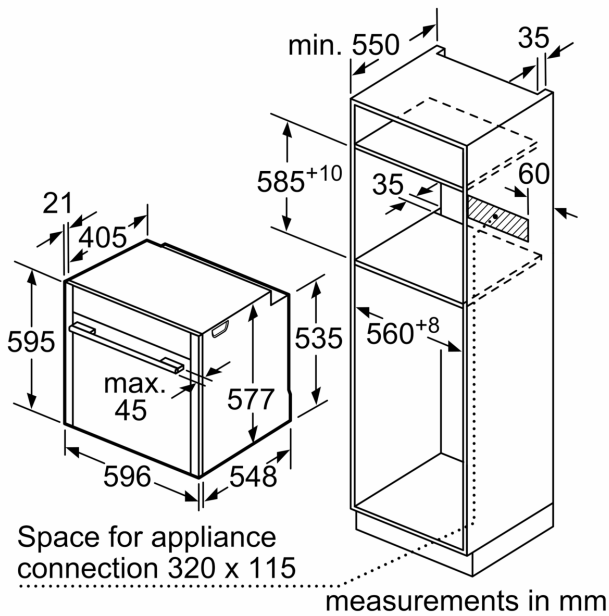
Installing two appliances on top of each other  
Air exchange



A: Air inlet  $\geq 200 \text{ cm}^2$



measurements in mm



If the appliance will be installed underneath a hob, the following worktop thicknesses (including substructure if necessary) must be taken into account.

Hob type	min. worktop thickness	
	fitted	flush
Induction hob	37 mm	38 mm
Full surface Induction hob	47 mm	48 mm
Gas hob	30 mm	38 mm
Electric hob	27 mm	30 mm