

N 50, BUILT-IN OVEN, 60 X 60 CM, STAINLESS
STEEL
B4ACF1AN0B



A



Built-in oven with Slide&Hide® - unrestricted access to the oven interior

- ✓ Slide&Hide® – The fully disappearing oven door with rotating handle.
- ✓ CircoTherm® – Smart hot-air solution that lets you bake on up to three levels at once.
- ✓ LCD-Display – simple, straightforward with large characters for clear reading

Built-in / Free-standing: Built-in
 Integrated Cleaning system: EcoClean
 programme
 Min. required niche size for installation (HxWxD): 585-595 x
 560-568 x 550 mm
 Dimensions: 595 x 594 x 548 mm
 Dimensions of the packed product (HxWxD): . 670 x 660 x 690 mm
 Control Panel Material: Glass
 Door Material: Glass
 Net weight: 34.0 kg
 Usable volume of cavity: 71 l
 Cooking method: Full width grill, Hotair gentle, Hot Air,
 Conventional heat, Pizza setting, Hot air grilling
 Oven control: mechanical
 Number of interior lights: 1
 Length electrical supply cord: 120.0 cm
 EAN code: 4242004225218
 Number of cavities (2010/30/EC): 1
 Energy efficiency rating: A
 Energy consumption per cycle conventional (2010/30/EC): 1.04
 kWh/cycle
 Energy consumption per cycle forced air convection
 (2010/30/EC): 0.81 kWh/cycle
 Energy efficiency index (2010/30/EC): 95.3 %
 Connection Rating: 2990 W
 Fuse protection: 13 A
 Voltage: 220-240 V
 Frequency: 60; 50 Hz
 Plug type: no plug
 (electrical connection by electrician)
 Included accessories: 2 x combination grid, 1 x universal pan

2 x combination grid, 1 x universal pan

Z1365WX0 Wireless food thermometer, Z13CR10X0 Baking and
 roasting grid (steam), Z13CV05S0 Cover Strip, Z1608BX0 Full ext
 rails, level independent, Z1650BE0 Half tray, Z1655CA0 Air Fry &
 Grill tray, Z1913X0 Baking Stone, Z11AB15A0 Baking tray,
 non-stick ceramic coated, Z11AU15A0 Universal pan, non-stick
 ceramic coated, Z11CR10X0 Baking and roasting grid (standard),
 Z11GU20X0 Glasspan, Z11TI15X0 Cliprails, Z12CB10A0 Baking
 tray, enamelled, Z12CL10A0 Lid for professional pan, enamelled,
 Z12CN10A0 Professional pan, enamelled, Z12CP10A0 Pizza pan,
 enamelled, Z12CU10A0 Multipurpose pan, enamelled



N 50, BUILT-IN OVEN, 60 X 60 CM, STAINLESS
STEEL
B4ACF1ANOB

Design

- LCD Display (white)
- Elongated designed dials, Retractable control dials, Bevelled oval controls
- Slide&Hide® with rotating handle
- Cavity inner surface: enamel anthracite
- 4 shelf positions

Features

- Control panel lock
- Heating up indicator
- Automatic start
- Interior halogen light

Cleaning

- EcoClean Direct : back panel
- Full glass inner door

Programmes/functions

- Oven with Multifunction oven with 6 cooking functions: heating methods: CircoTherm®, Top/bottom heat, Circo-roasting, Full surface grill, CircoTherm® intensive, CircoTherm® gentle
- Cooling fan

Accessories

- 1 x universal pan, 2 x combination grid

Performance/technical information

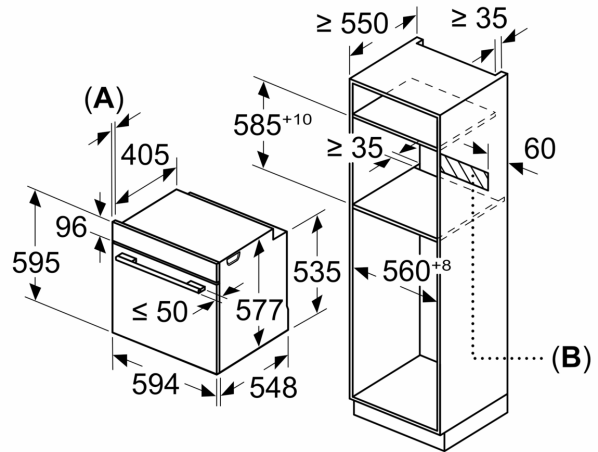
- Energy efficiency rating (acc. EU Nr. 65/2014): A
- Energy consumption per cycle in conventional mode:1.04 kWh
- Energy consumption per cycle in fan-forced convection mode:0.81 kWh
- Number of cavities: Main cavity Heat source: electrical Cavity volume:71 litre
- Total connected load electric: 2.99 KW
- 120 cm Cable length
- Nominal voltage: 220 - 240 V
- Appliance dimension (hxwxh): 595 mm x 594 mm x 548 mm
- Niche dimension (hxwxh): 585 mm - 595 mm x 560 mm - 568 mm x 550 mm
- Please refer to the dimensions provided in the installation manual

N 50, BUILT-IN OVEN, 60 X 60 CM, STAINLESS STEEL
B4ACF1AN0B

If the appliance will be installed underneath a hob, the following worktop thicknesses (including substructure if necessary) must be taken into account.

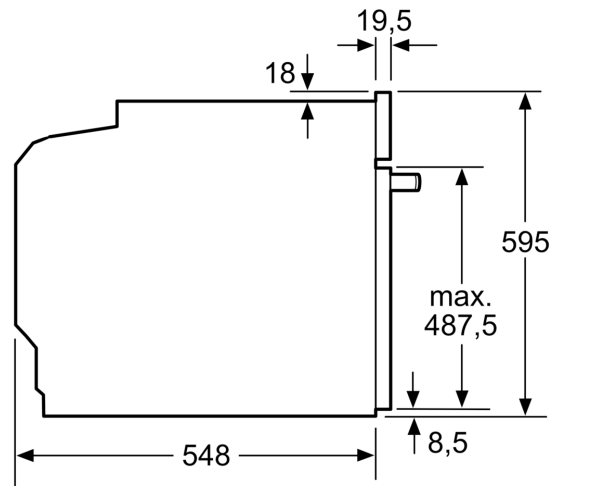
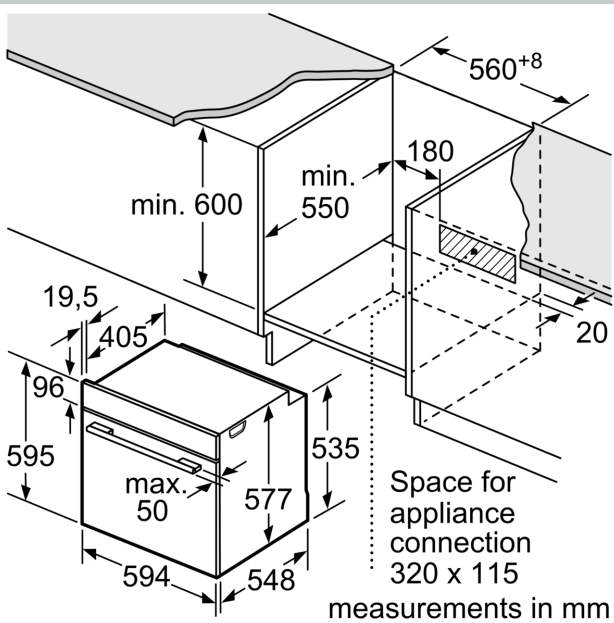
Hob type	min. worktop thickness	
	fitted	flush
Induction hob	37 mm	38 mm
Full surface Induction hob	47 mm	48 mm
Gas hob	30 mm	38 mm
Electric hob	27 mm	30 mm

Measurements in mm



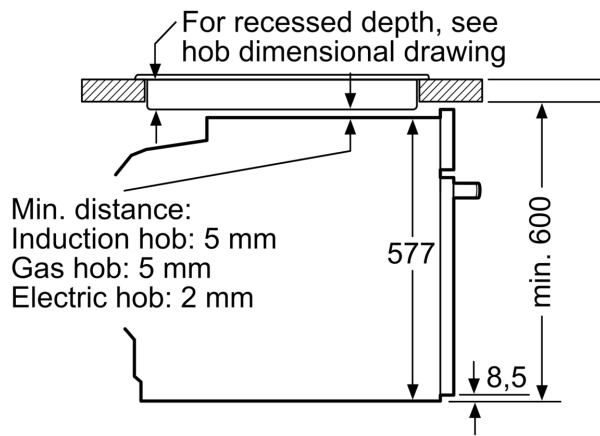
A: 19.5 mm

B: Space for appliance connection 320 x 115 mm



measurements in mm

Installation with a hob.



measurements in mm