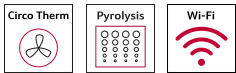


N 50, BUILT-IN OVEN, 60 X 60 CM, STAINLESS STEEL
B2ACH7HH0B



A



2 x combination grid, 1 x universal pan

Z11AB15A0 Baking tray, non-stick ceramic coated, Z11AU15A0 Universal pan, non-stick ceramic coated, Z11CR10X0 Baking and roasting grid (standard), Z11TI15X0 Cliprails, Z12CB10A0 Baking tray, enamelled, Z12CP10A0 Pizza pan, enamelled, Z12CU10A0 Multipurpose pan, enamelled, Z1365WX0 Wireless food thermometer, Z13CR10X0 Baking and roasting grid (steam), Z13CV05S0 Cover Strip, Z1608BX0 Full ext rails, level independent, Z1655CA0 Air Fry & Grill tray, Z1913X0 Baking Stone, Z19DD10X0 Steam set for ovens

Neff CircoTherm® - the unique hot-air system for simultaneous baking and roasting on up to 3 levels.

- ✓ CircoTherm® – Smart hot-air solution that lets you bake on up to three levels at once.
- ✓ Dual cleaning options: Pyrolytic cleaning programmes - just let the oven interior clean itself. EasyClean - the quick and easy option for day to day maintenance.
- ✓ LCD-Display – simple, straightforward with large characters for clear reading
- ✓ Home Connect – Unleash your creativity via app.
- ✓ Cliprails – Place dishes exactly where you want them in your oven.

Built-in / Free-standing: Built-in
 Integrated Cleaning system: Pyrolytic+Hydrolytic
 Min. required niche size for installation (HxWxD): 585-595 x 560-568 x 550 mm
 Dimensions: 595x594x548 mm
 Dimensions of the packed product (HxWxD): . 675 x 660 x 690 mm
 Control Panel Material: Glass
 Door Material: Glass
 Net weight: 38.1 kg
 Usable volume of cavity: 71 l
 Cooking method: Bread Baking Setting, Full width grill, Hotair gentle, Hot Air, Conventional heat, Pizza setting, Bottom heat, Hot air grilling
 Oven control: electronic
 Number of interior lights: 1
 Length electrical supply cord: 120.0 cm
 EAN code: 4242004245483
 Number of cavities (2010/30/EC): 1
 Energy efficiency rating: A
 Energy consumption per cycle conventional (2010/30/EC): 0.99 kWh/cycle
 Energy consumption per cycle forced air convection (2010/30/EC): 0.81 kWh/cycle
 Energy efficiency index (2010/30/EC): 95.3 %
 Connection Rating: 2990 W
 Fuse protection: 13 A
 Voltage: 220-240 V
 Frequency: 50; 60 Hz
 Plug type: no plug (electrical connection by electrician)
 Included accessories: 2 x combination grid, 1 x universal pan



N 50, BUILT-IN OVEN, 60 X 60 CM, STAINLESS
STEEL
B2ACH7HHOB

Design

- LCD-Display Control (white)
- Elongated designed dials, Retractable control dials, Bevelled oval controls
- Bar handle
- Cavity inner surface: enamel anthracite
- 4 shelf positions

Features

- HomeConnect ready on WLAN
- Door lock during pyrolytic cleaning
- Control panel lock Automatic safety switch off Residual heat indicator Door contact switch
- Temperature proposal
- Actual temperature display Heating up indicator Automatic start
- Interior halogen light, On/off button
- 1 Clip rail, Stop function

Cleaning

- Pyrolytic cleaning
- EasyClean
- Full glass inner door

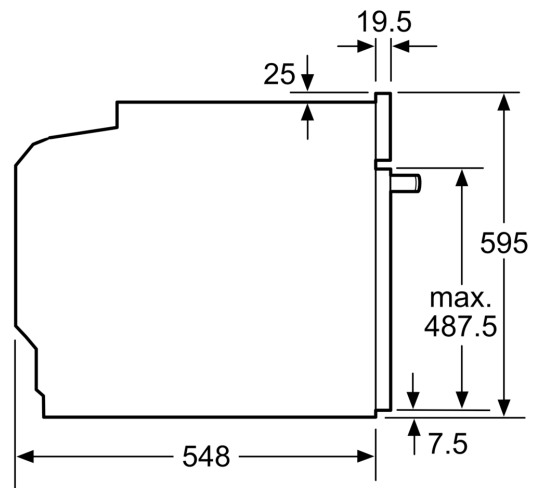
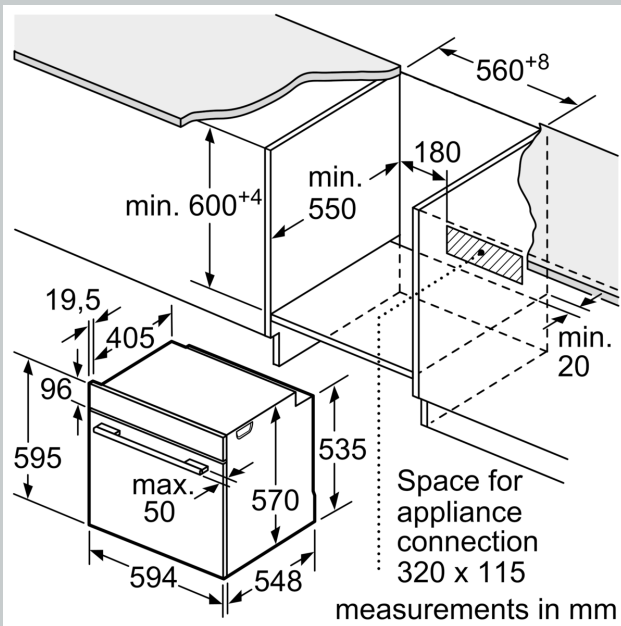
Programmes/functions

- Oven with 8 cooking functions:, 8 cooking functions: heating methods: CircoTherm®, Top/bottom heat, Circo-roasting, Full surface grill, CircoTherm® intensive, Bread baking, Bottom heat, CircoTherm® gentle
- Rapid heat
- Cooling fan

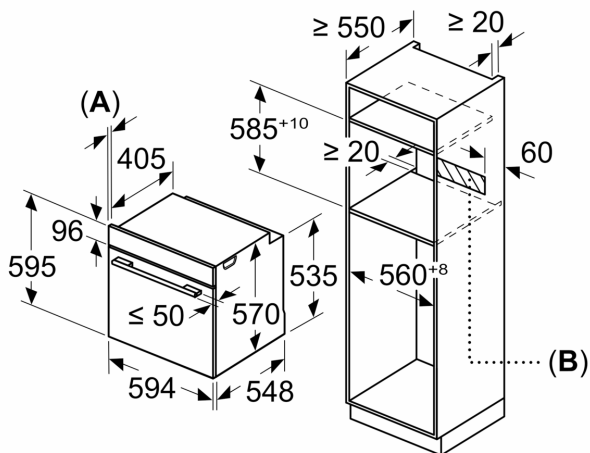
Performance/technical information

- Energy efficiency rating (acc. EU Nr. 65/2014): A
- Energy consumption per cycle in conventional mode:0.99 kWh
- Energy consumption per cycle in fan-forced convection mode:0.81 kWh
- Number of cavities: Main cavity Heat source: electrical Cavity volume:71 litre
- Total connected load electric: 2.99 KW
- 120 cm Cable length
- Nominal voltage: 220 - 240 V
- Appliance dimension (hxwx): 595 mm x 594 mm x 548 mm
- Niche dimension (hxwx): 585 mm - 595 mm x 560 mm - 568 mm x 550 mm
- Please refer to the dimensions provided in the installation manual

N 50, BUILT-IN OVEN, 60 X 60 CM, STAINLESS
STEEL
B2ACH7HH0B

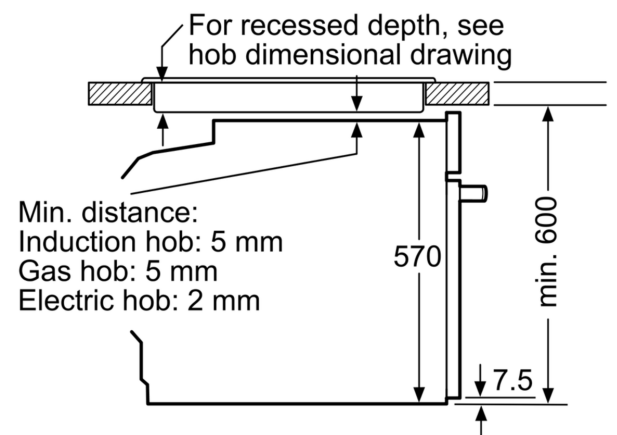


Measurements in mm



A: 19.5 mm
B: Space for appliance connection 320 x 115 mm

Installation with a hob.



Min. distance:
Induction hob: 5 mm
Gas hob: 5 mm
Electric hob: 2 mm

measurements in mm