

N 30, BUILT-IN OVEN, 60 X 60 CM, BLACK  
B1DCC0AK3B



Optimal cooking results: CircoTherm® hot-air system for simultaneous baking and roasting on up to 3 levels.

- ✓ LED-Display - simple, straightforward for clear reading
- ✓ CircoTherm® – Smart hot-air solution that lets you bake on up to three levels at once.

Built-in / Free-standing: ..... Built-in  
 Integrated Cleaning system: ..... No  
 Required niche size for installation (HxWxD): 585-595 x 560-568 x 550 mm  
 Dimensions: ..... 595x594x548 mm  
 Dimensions of the packed product (HxWxD): . 675 x 660 x 690 mm  
 Control Panel Material: ..... Glass  
 Door Material: ..... Glass  
 Net weight: ..... 33.7 kg  
 Usable volume of cavity: ..... 71 l  
 Cooking method: ..... Full width grill, Hotair gentle, Hot Air, Conventional heat, Hot air grilling  
 Oven control: ..... mechanical  
 Number of interior lights: ..... 1  
 Length electrical supply cord: ..... 120.0 cm  
 EAN code: ..... 4242004281092  
 Number of cavities (2010/30/EC): ..... 1  
 Energy efficiency rating: ..... A+  
 Energy consumption per cycle conventional (2010/30/EC): 0.94 kWh/cycle  
 Energy consumption per cycle forced air convection (2010/30/EC): ..... 0.69 kWh/cycle  
 Energy efficiency index (2010/30/EC): ..... 81.2 %  
 Connection Rating: ..... 2990 W  
 Fuse protection: ..... 13 A  
 Voltage: ..... 220-240 V  
 Frequency: ..... 50; 60 Hz  
 Plug type: ..... no plug (electrical connection by electrician)  
 Included accessories: ..... 2 x combination grid, 1 x universal pan

2 x combination grid, 1 x universal pan

Z11AB15A0 Baking tray, non-stick ceramic coated, Z11AU15A0 Universal pan, non-stick ceramic coated, Z12CM10A0 Moussaka pan, enamelled, Z12CN10A0 Professional pan, enamelled, Z12CP10A0 Pizza pan, enamelled, Z12CU10A0 Multipurpose pan, enamelled, Z1365WX0 Wireless food thermometer, Z1608BX0 Full ext rails, level independent, Z1650BE0 Half tray, Z1655CA0 Air Fry & Grill tray, Z1913X0 Baking Stone, Z11CR10X0 Baking and roasting grid (standard), Z11GU20X0 Glasspan, Z11TI15X0 Cliprails, Z12CB10A0 Baking tray, enamelled, Z12CL10A0 Lid for professional pan, enamelled



N 30, BUILT-IN OVEN, 60 X 60 CM, BLACK  
B1DCC0AK3B

**Features**

- Oven with 5 main functions heating methods: CircoTherm®, Top/bottom heat, Circo-roasting, Full surface grill, CircoTherm® gentle
- Temperature range 50 °C - 275 °C
- Cavity volume: 71 litre

**Level independent telescopic rails**

- 4 shelf positions
- Available as an accessory

**Design**

- Elongated designed dials, round
- Cavity inner surface: enamel anthracite

**Cleaning**

- Full glass inner door

**Programmes/functions**

- LED Display (Red)
- Electronic clock timer
- Heating up indicator
- Automatic start
- Bar handle
- Manual rapid heating up
- Interior halogen light
- Cooling fan
- Stainless-steel fan

**Accessories**

- 2 x combination grid, 1 x universal pan

**Features**

- Heat reflective glass
- Triple glazed door glazed CoolTouch door
- Control panel lock

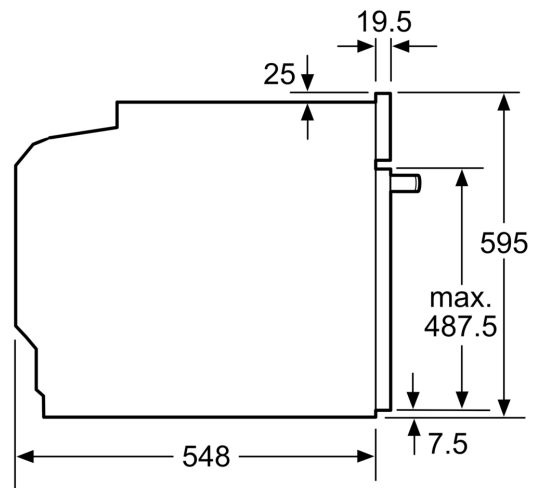
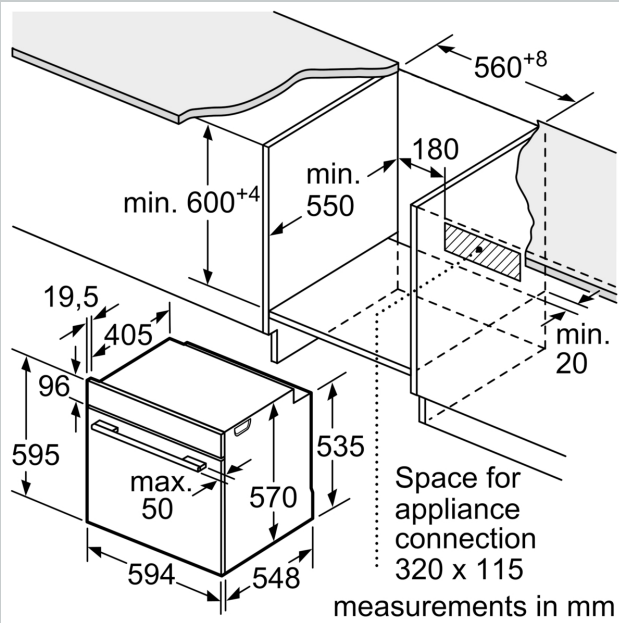
**Technical information**

- 120 cm Cable length
- Nominal voltage: 220 - 240 V
- Total connected load electric: 2.99 KW

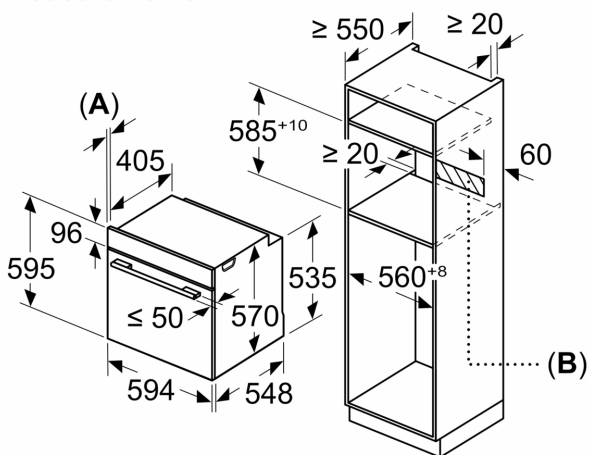
**Performance/technical information**

- Appliance dimension (hxwx): 595 mm x 594 mm x 548 mm
- Niche dimension (hxwx): 585 mm - 595 mm x 560 mm - 568 mm x 550 mm
- Please refer to the dimensions provided in the installation manual

N 30, BUILT-IN OVEN, 60 X 60 CM, BLACK  
B1DCC0AK3B

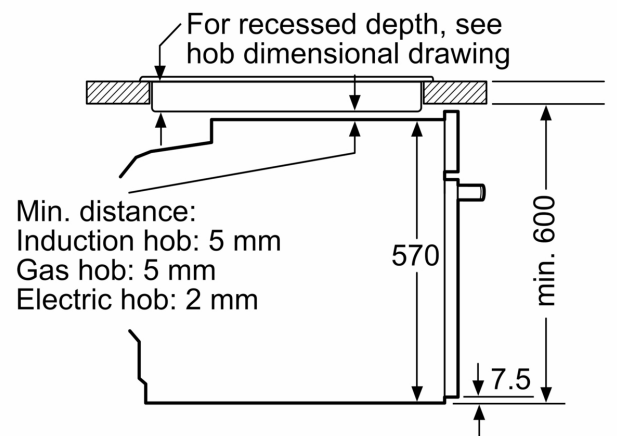


Measurements in mm



- A: 19.5 mm
- B: Space for appliance connection 320 x 115 mm

Installation with a hob.



measurements in mm