

## 120 cm induction top + griddle, electric double oven Heritage Series

£ 6,799



### HER125I2ENET

This double-oven range cooker give great versatility and style to your kitchen. The main oven electric oven has 11 functions, from convection, baking and grilling to warming and displays the oven functions selected, manages time during cooking and gives feedback on real-time temperature.

The useful auxiliary oven has six modes. Triple-glass doors minimise heat loss.

The hob has an induction top with five heating zones, including booster feature, pot detection, residual heat indicator for each zone and two flex zones.

Matching range hood and backsplash available.

Colours shown will vary depending on your screen settings and resolution. Contact your dealer for further advice.

[Guarda online](#)

# Specifications

## Features

### Worktop

|                           |                                      |
|---------------------------|--------------------------------------|
| Size                      | 120 cm                               |
| Cooking zones             | 5                                    |
| Number of induction zones | 5, included 2 flex zones + 1 griddle |
| Worktop type              | induction                            |
| Worktop controls          | knobs                                |
| Knobs                     | metal                                |
| Upstand                   | yes                                  |

### Cooking zones

|                       |                                |
|-----------------------|--------------------------------|
| Induction front left  | (210 x 200 mm) 1600 W - 1850 W |
| Induction back left   | (210 x 200 mm) 2100 W - 3000 W |
| Induction center      | (Ø 265 mm) 2300 W - 3000 W     |
| Induction front right | (210 x 200 mm) 1600 W - 1850 W |
| Induction back right  | (210 x 200 mm) 2100 W - 3000 W |

### Oven cavity

|                             |  |
|-----------------------------|--|
| Oven configuration          | double   |
| Oven fuel                   | electric   |
| Main oven type              | electric multifunction   |
| Main oven grill type        | electric   |
| Main oven functions         | bake / bottom bake / convection / convection bake / convection grill / defrosting / fast preheat / grill / oven light / pizza / upper bake |
| Main oven volume            | 69 l   |
| Main oven convection system | single with heating element  |
| Main oven energy rating     | A  |
| Auxiliary oven type         | electric multifunction   |
| Auxiliary oven grill type   | electric   |
| Auxiliary oven functions    | bake / bottom bake / convection / convection bake / convection grill / defrosting / fast preheat / grill / oven light / pizza / upper bake |
| Auxiliary oven volume       | 69 l   |

|                              |                     |
|------------------------------|---------------------|
| Auxiliary oven energy rating | A                   |
| Oven controls                | knobs / thermometer |
| Inner oven door              | triple              |
| Removable inner glass        | yes                 |
| Cooling fan                  | yes                 |
| Oven levels                  | 4                   |
| Oven door closing            | anti-slam system    |
| Sliding shelves              | 2 standard          |
| Wire-shelves                 | 3 chromed           |
| Tray                         | 2 enamelled         |
| Grill trivet for tray        | yes                 |
| Oven lights                  | single              |

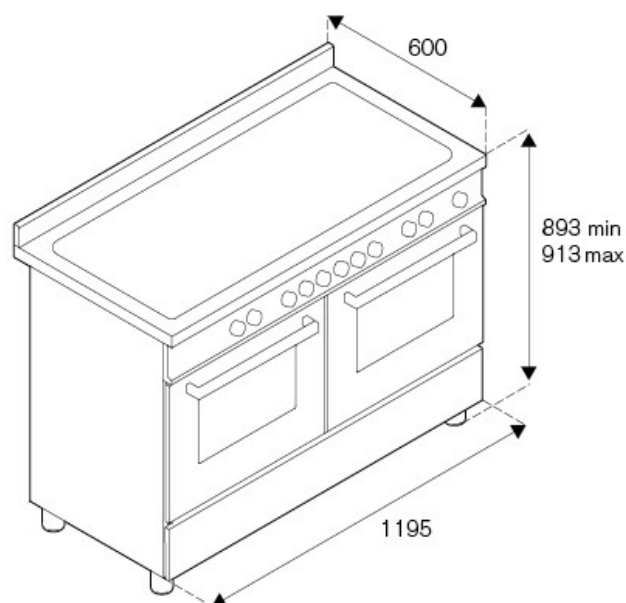
#### Bottom

|                     |                 |
|---------------------|-----------------|
| Storage compartment | drawer          |
| Legs                | stainless steel |

#### Technical specifications

|                       |                             |
|-----------------------|-----------------------------|
| Voltage and frequency | 220/240 V - 50/60 Hz – 40 A |
| Absorbed power (W)    | 13400 W                     |

## Dimensions



---